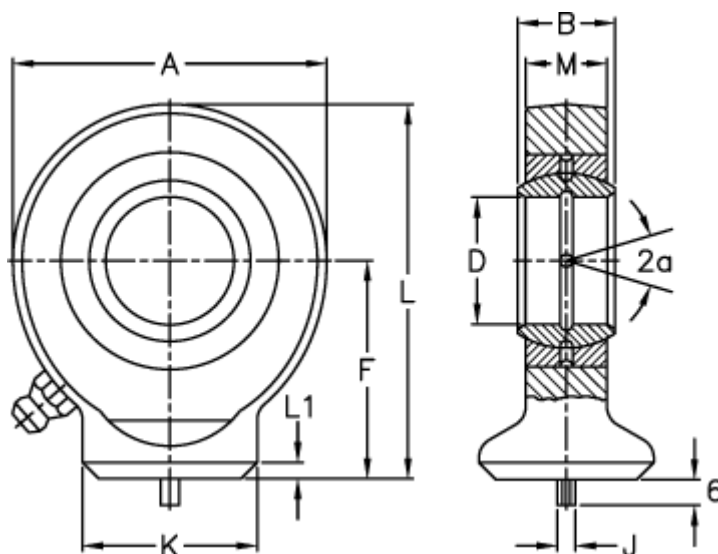


Article number: 03555010

Description: Fluro hydraulic rod end FS 10C

Measures



A	= 29	L	= 38.5
a (degrees)	= 12	L1	= 2
B	= 9	M	= 7
D	= 10	Static load C0 (kN)	= 15.6
Dynamic load C (kN)	= 8.1	Weight	= 40
F	= 24		
J	= 3		
K	= 15		